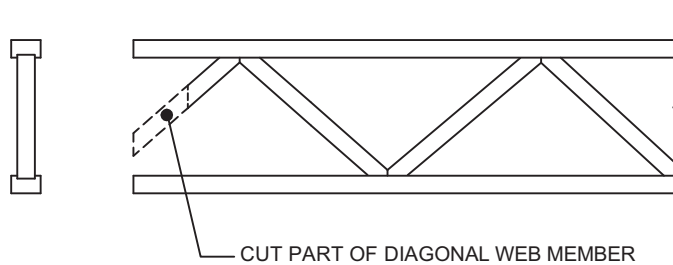
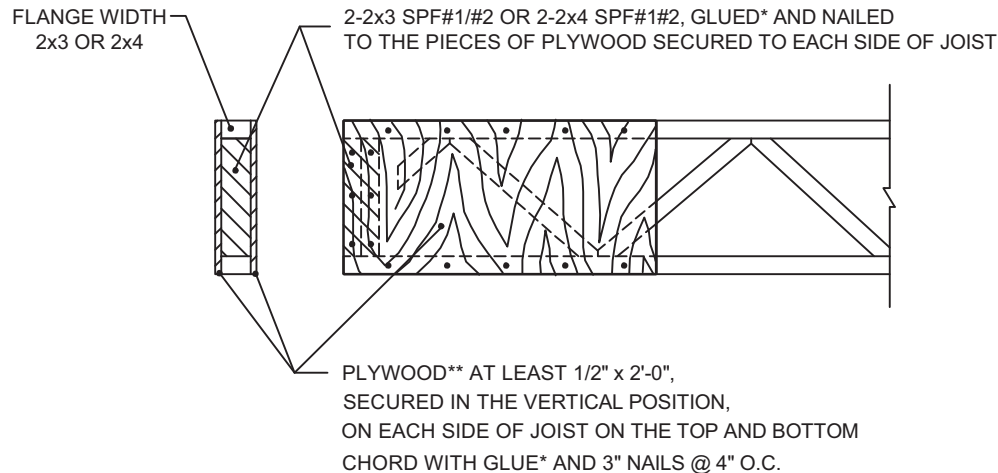


## TYPICAL REPAIR METHOD FOR A JOIST CUT ALL THE WAY

### SITUATION BEFORE REPAIR



### SITUATION AFTER REPAIR



\*PL PREMIUM GLUE

\*\* Plywood - at least 1/2" 4 ply (15/32") or better

RTF-001-18

### IMPORTANT NOTICES

This detail drawing is valid for uniform residential loads.

For other types of loads, contact the manufacturer.

Check out the [www.openjoisttriforce.com](http://www.openjoisttriforce.com) website for the latest updates.

